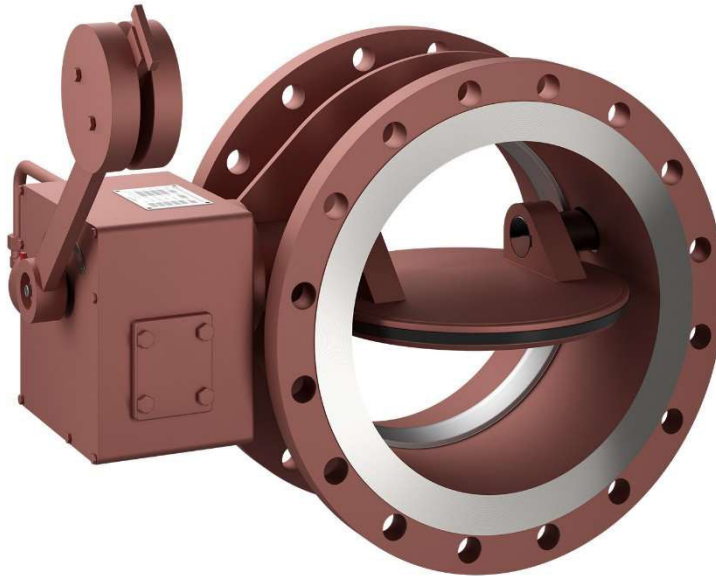
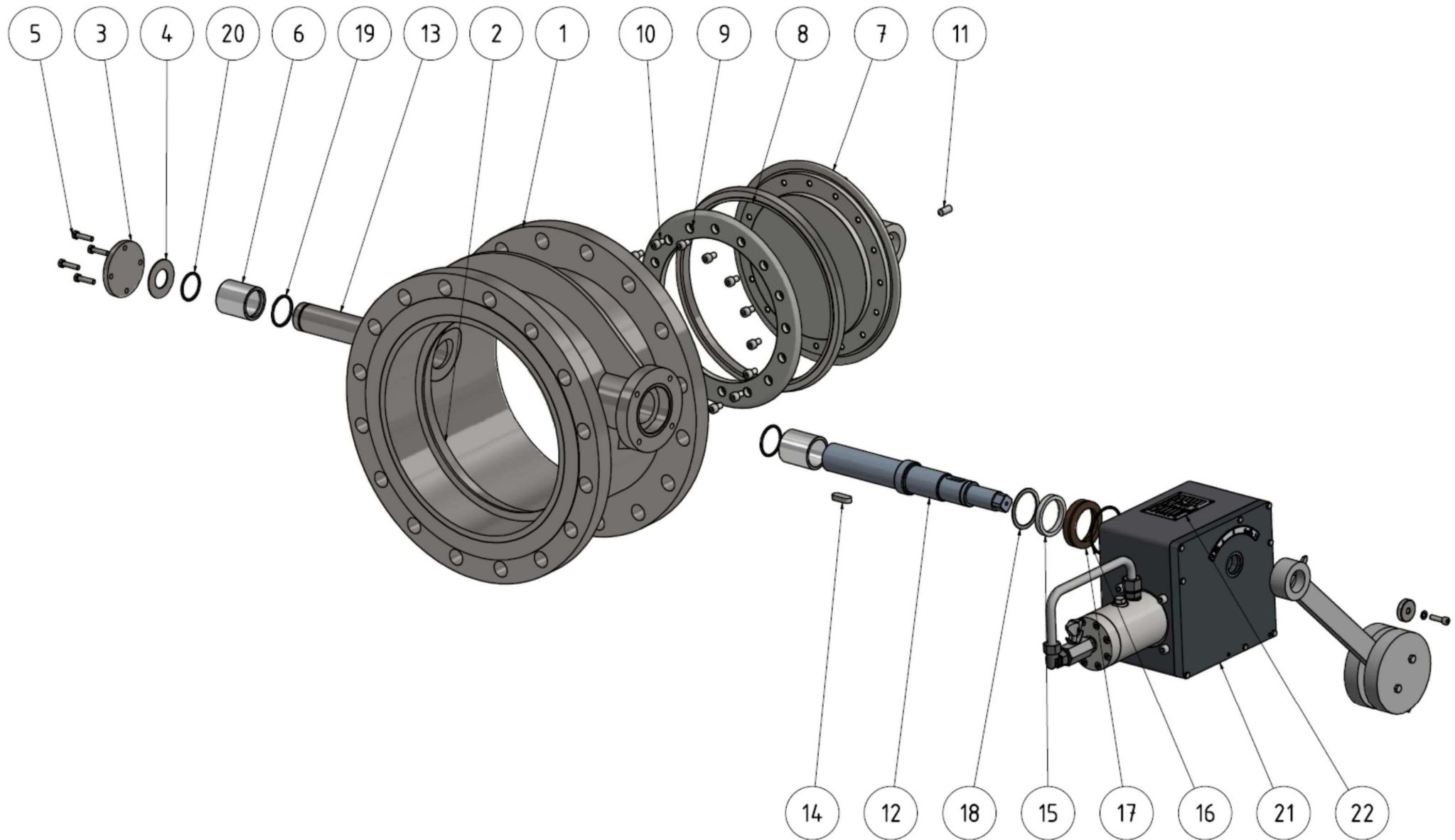


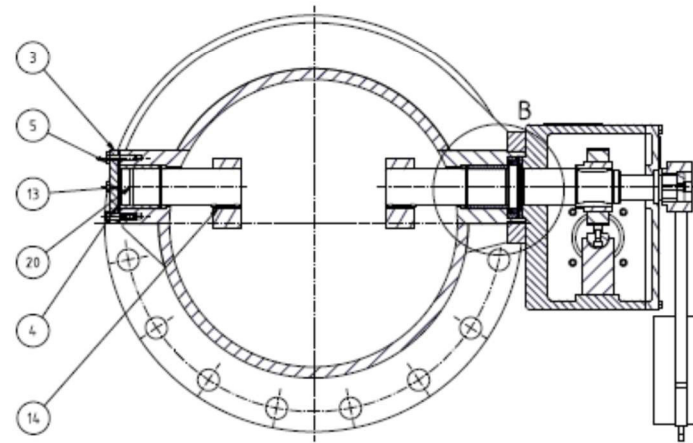
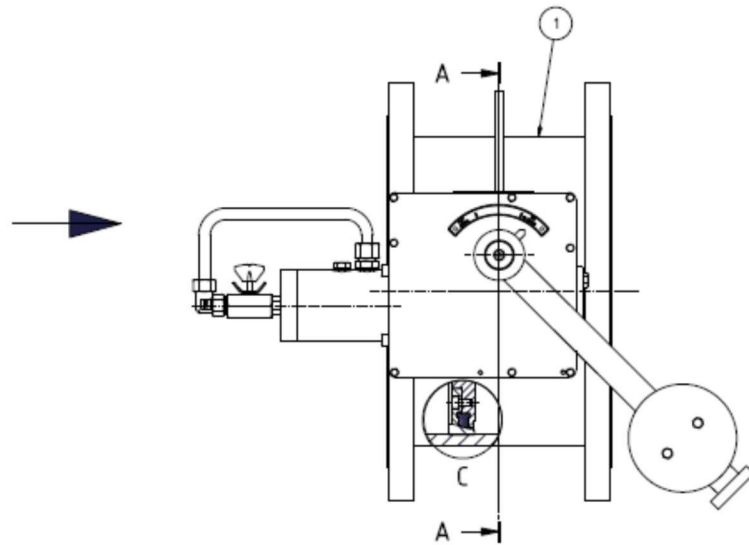
- **Type:** Check valve (type R)



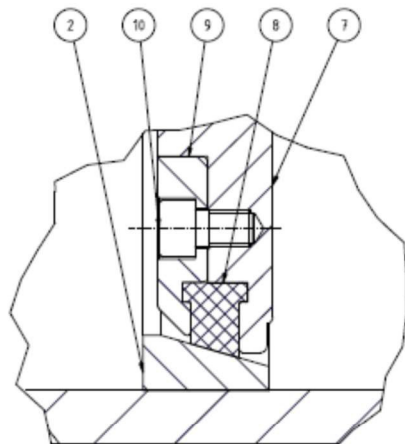
- **Design:** Industrial valve in double eccentric disc design welded design
- **Nominal size:** DN 100 – DN 2000
- **Nominal pressure:** Up to PN 63
- **Temperature range:** -196 to +550 °C
- **Flange connection:** DIN, ANSI, BS, MSS, API, JIS etc.  
butterfly valves with butt weld ends (up to DN 800)
- **Face-to-face length:** DIN EN 558-1 / ISO 5752 series 14 (F4)  
or to customer specification
- **Material:** High-temperature pressure vessel steel 1.0425 (P265 GH/HII), 16 Mo3  
Stainless steel 1.4541, 1.4571, 1.4301, 1.4401, 1.4439  
Duplex 1.4462, Super-Duplex 1.4501, 1.4410, a.o.
- **Lining:** Hard rubber, soft rubber, natural rubber, hard material coating
- **Disc seal:** NBR (Perbunan®), PTFE, 1.4571 graphite or PTFE lamellas, stainless steel
- **Shaft seal:** Stuffing box, double or safety stuffing box, U-seal and O-ring NBR or FKMU-seal and pressure ring PTFE, Double U-seal and O-ring made of NBR, FKM
- **Drive:** lever and weight as support (type R)  
Check gear with infinitely adjustable hydraulic brake (type RBH)  
Check gear with pneumatic opening/closing aid (RBH-Pn)



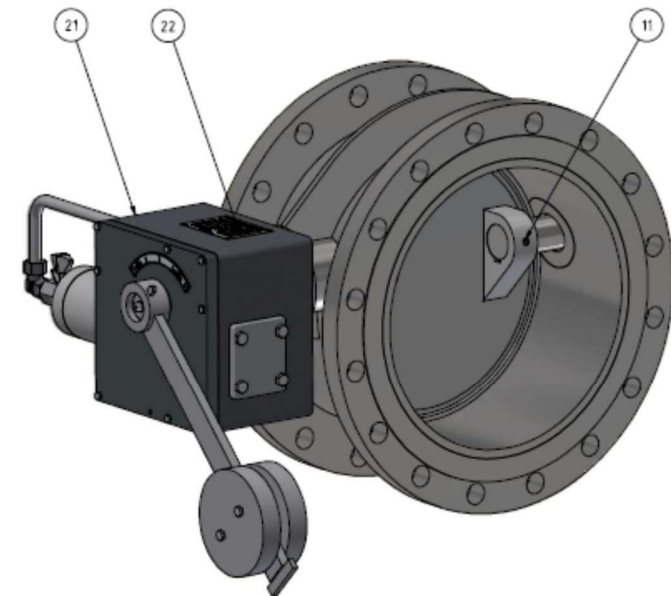
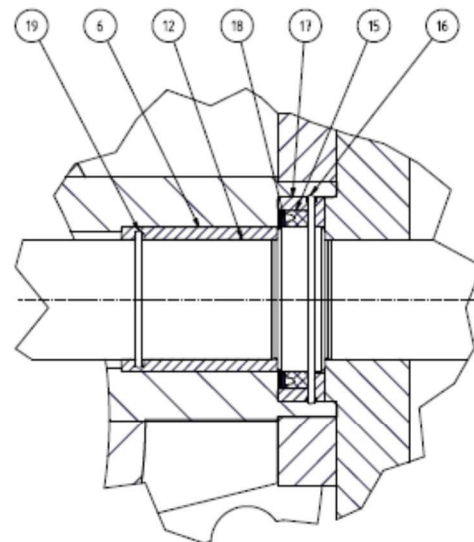
A-A (1:5)



C (1:1)



B (1:1,5)



| Part | Nomination     | Quantity | Material                    | DIN No.  | Dimensions |
|------|----------------|----------|-----------------------------|----------|------------|
| 1    | Valve Body     | 1        | P265GH                      |          |            |
| 2    | Seat ring      | 1        | 1.4301                      |          |            |
| 3    | Gasket         | 1        | EN-GJL-250                  |          |            |
| 4    | Cover Gasket   | 1        | Graphite                    |          |            |
| 5    | Screw          | 4        | 8.8                         | DIN 933  |            |
| 6    | Bush           | 2        | Ni-Resist                   |          |            |
| 7    | Disc           | 1        | P265GH                      |          |            |
| 8    | Disc sealing   | 1        | 1.4571 /graphite lamination |          |            |
| 9    | Retaining ring | 1        | P265GH                      |          |            |
| 10   | Screw          | 16       | 8.8                         | DIN 912  |            |
| 11   | Set Screw      | 2        | 45H                         | DIN 914  |            |
| 12   | Drive shaft    | 1        | 1.4057                      |          |            |
| 13   | Counter shaft  | 1        | 1.4057                      |          |            |
| 14   | Paralell key   | 2        | C45K                        | DIN 6885 |            |
| 15   | U-seal         | 1        | NBR                         |          |            |
| 16   | O-ring         | 1        | NBR                         |          |            |
| 17   | U-seal holder  | 1        | Bronze                      |          |            |
| 18   | Pressure ring  | 1        | PTFE                        |          |            |
| 19   | O-ring         | 2        | NBR                         |          |            |
| 20   | O-ring         | 2        | NBR                         |          |            |
| 21   | Gear RBH       | 1        | EN-GJL-250                  |          |            |
| 22   | Name plate     | 1        |                             |          |            |